

Receiver	From
Society	-
Reference	-
Address	-
Phone	-
Fax	-
E-mail	-
<b>Item n° :</b> 60179859	<div style="text-align: center;"><b>Curve tolerance according to ISO 9906</b></div>
<b>Model :</b> K 90/100 T IE3	
<b>Pump data</b>	
MEI ≥	
Pressure rating : 12 bar (1200 kPa)	
Min. fluid temperature : -15 °C	
Max. fluid temperature : 110 °C	
Max. Ambient temperature : 40 °C	
<b>Requested data</b>	
Flow : 0.00 l/min	
Head : 0.00 m	
Fluid : Water	
Fluid Temperature : 20 °C	
Density : 62.315 lb/ft³	
Kinematic viscosity : 1.0769E-5 ft²/s	
Vapor pressure : 2.20 kPa	
<b>Hydraulic data (duty point)</b>	
Flow :	
Head :	
NPSH :	
Shaft power P2 :	
Efficiency :	
<b>Materials</b>	
Pump body	Cast iron 200 UNI ISO 185
Support	Cast iron 200 UNI ISO 185
Impeller	Technopolymer B
Mechanical seal	Carbon/Ceramic
OR ring	Guarnital
Shaft with rotor	AISI 303 X10 CrNiS 1809 UNI 6900/71
Intermediate cover	Cast iron 200 UNI ISO 185
<b>Motor data</b>	<b>Weight :</b> 97.002 lb
Motor brand : DAB	<b>Dimensions in mm</b>
Nominal power P2 : 4 kW	A 450
Rated speed : 2850 rpm	B 256
Rated voltage : 3~ 230 V / 400 V 50 Hz	C 88
Nominal current : 16.5 / 9.5 A	D 160
Degree of protection : IP 55	DNA 1"1/2 G
<b>Pump connection</b>	DNM 1" G
Suction side : 1" 1/2 G / 12 bar (1200 kPa)	E 72
Discharge side : 1" G / 12 bar (1200 kPa)	F 18
	G 200
	H 312.5
	H1 140
	H2 172.5



# PERFORMANCE CURVES

2020-07-07

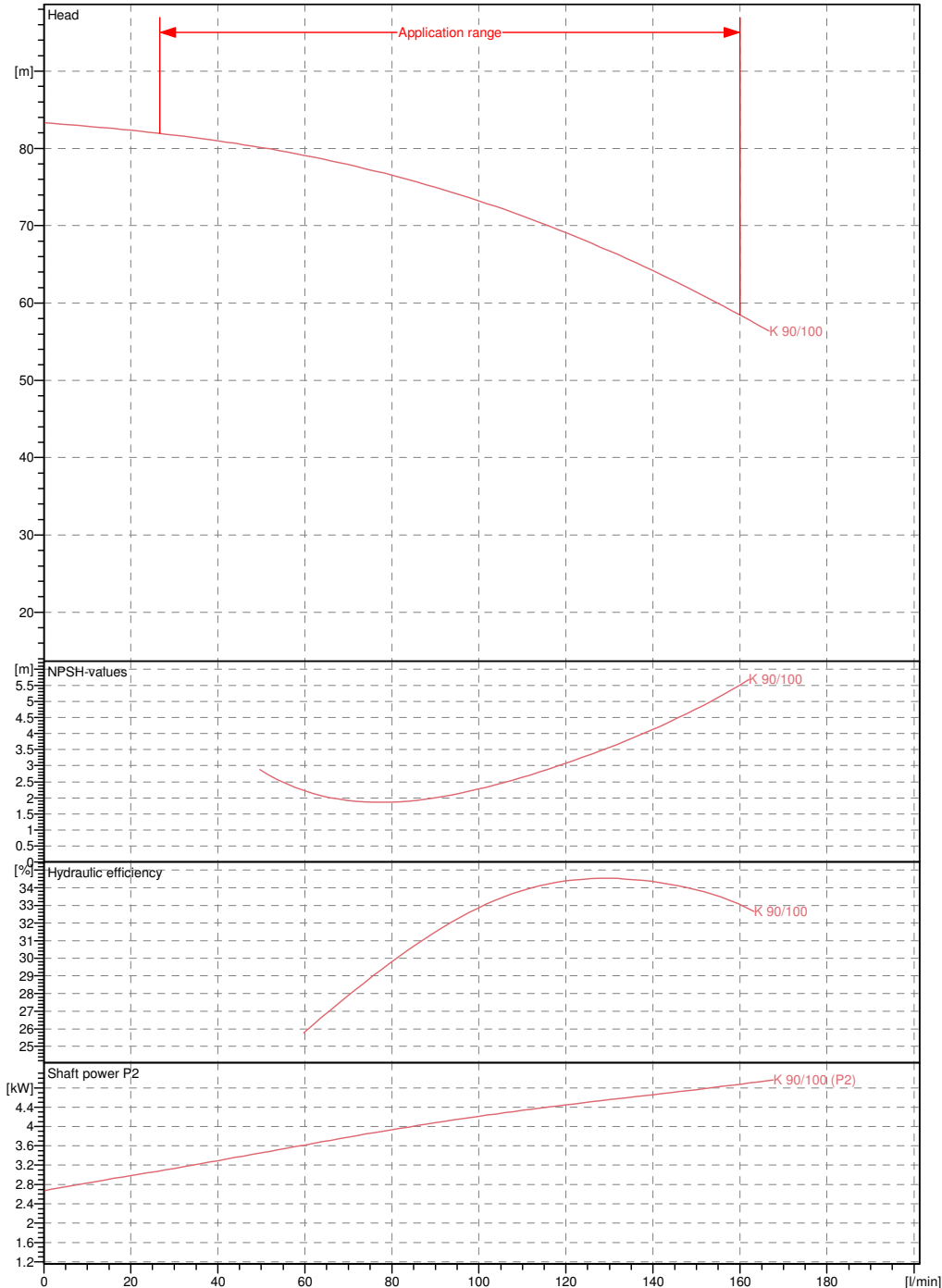
Page 4 / 5

DAB PUMPS S.p.A.  
Via Marco Polo, 14 - 35035 Mestrino (PD), Italy  
Tel. +39 049 5125000 - Fax +39 049 5125950  
www.dabpumps.com

	<b>Receiver</b>	<b>From</b>
Society	-	-
Reference	-	-
Address	-	-
Phone		
Fax		
E-mail		

## K 90/100 T IE3

Curve tolerance according to ISO 9906



Hydraulic data (duty point)

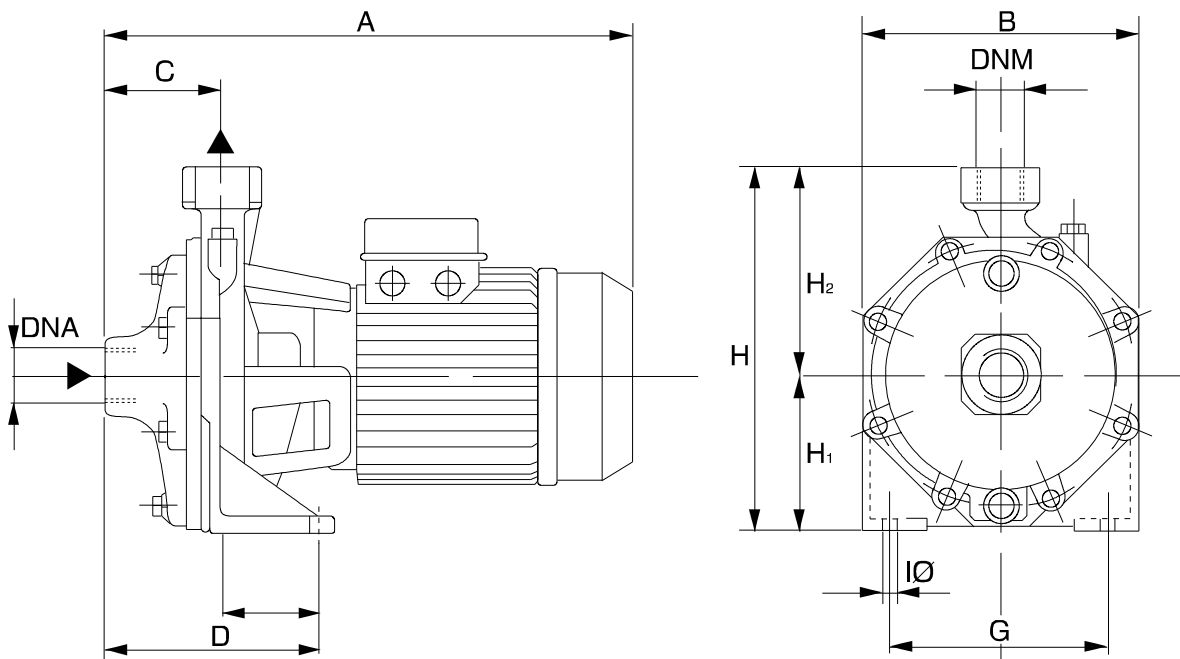
Suction side : 1 " 1/2 G 12 bar (1200 kPa)	Discharge side : 1 " G 12 bar (1200 kPa)	Flow : 0 l/min	Head : 0 m	Rated speed : 2850 rpm
Project	Project ID	Created by	Created on <b>2020-07-07</b>	

Receiver

From

Society  
 Reference  
 Address  
 Phone  
 Fax  
 E-mail

## K 90/100 T IE3


**Dimensions in mm**

1	A	450	H1	140		
2	B	256	H2	172.5		
3	C	88	Ø	14		
4	D	160				
5	DNA	1 1/2 G				
6	DNM	1" G				
7	E	72				
8	F	18				
9	G	200				
10	H	312.5				

**Pump connection**

Suction  
 1 " 1/2 G  
 12 bar (1200 kPa)

Discharge  
 1 " G  
 12 bar (1200 kPa)

Project

Project ID

Created by

Created on

2020-07-07